

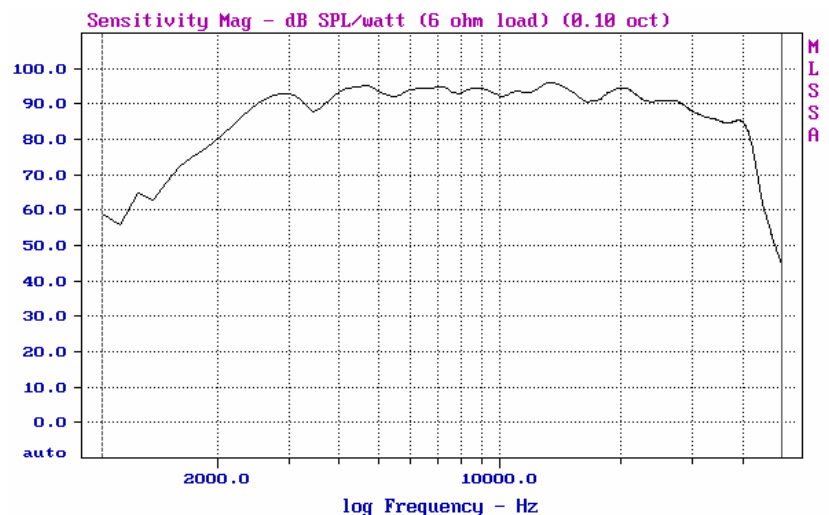
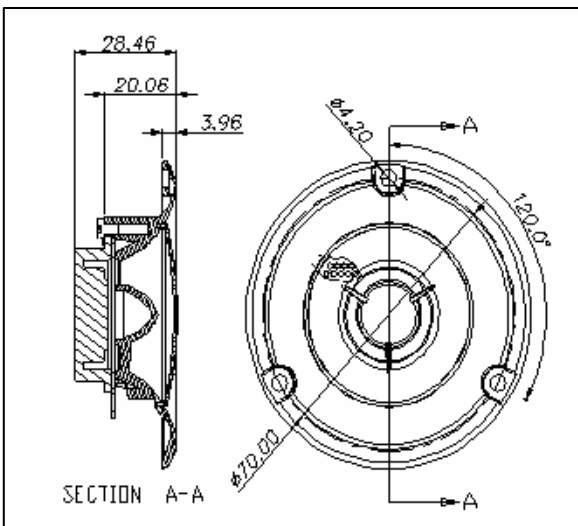
Features:

- Ribbon Tweeter
- 2.5K Hz to 40K Hz Response
- 93 dB Sensitivity
- 6 Ohm Impedance
- Laminated Aluminum Diaphragm
- Ultra-thin Diaphragm



Specifications:

Nominal Impedance	6 Ohm
Frequency Response	2.5K Hz ~ 40K Hz
Sensitivity	93 dB @ 1W/1m
Recommended Crossover	More than 4.0 K Hz
Power Handling	15 W Continuous / 3 rd Crossover, $Q \leq 0.707$
Diaphragm	Laminated Aluminum
Magnet	Nd-Fe-B
Weight	90 grams



BESTON Technology Corporation

Office: 5F-13, No. 9, Ai Kuo West Rd., Taipei 100, Taiwan

TEL: (886)-2-23892956 FAX: (886)-2-23892952

E-Mail: s272@ms45.hinet.net